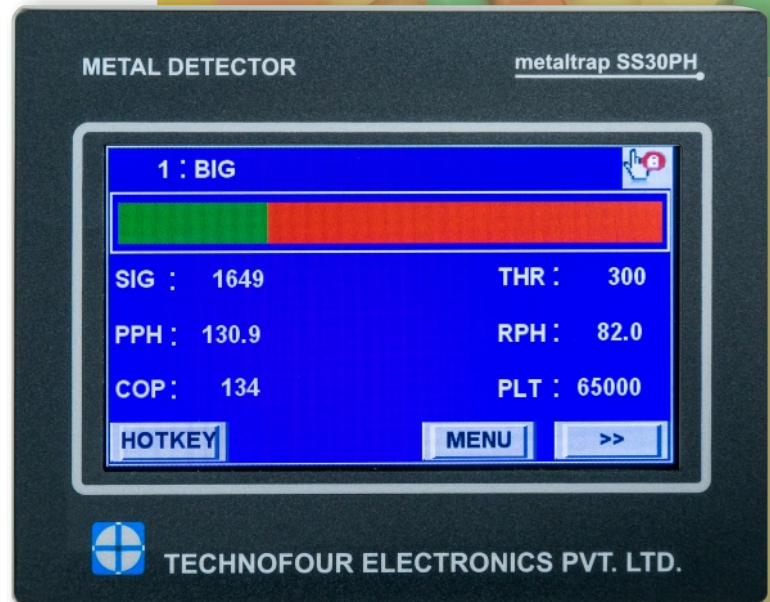


# PHARMA METAL DETECTOR

## METALTRAP SS30 PH



- Sophisticated digital signal processing to detect minute metal particles in addition to phase sensitive detection
- Bargraph and Numeric display
- 4.5" HMI Display
- Statistical Data with event time stamping
- Diagnostics Available on LCD Display
- Buzzer and LED Indication on Detection of Metal Contamination
- Security Levels Provided
- LCD Bargraph / Numeric Display to Monitor Noise and Signal
- Dual frequency version for iron tablets / capsules
- Combo model (with De-Duster) available



**TECHNOFOUR ELECTRONICS PVT. LTD.**

*Leaders in Product Checking Systems*

[www.teplindia.com](http://www.teplindia.com)

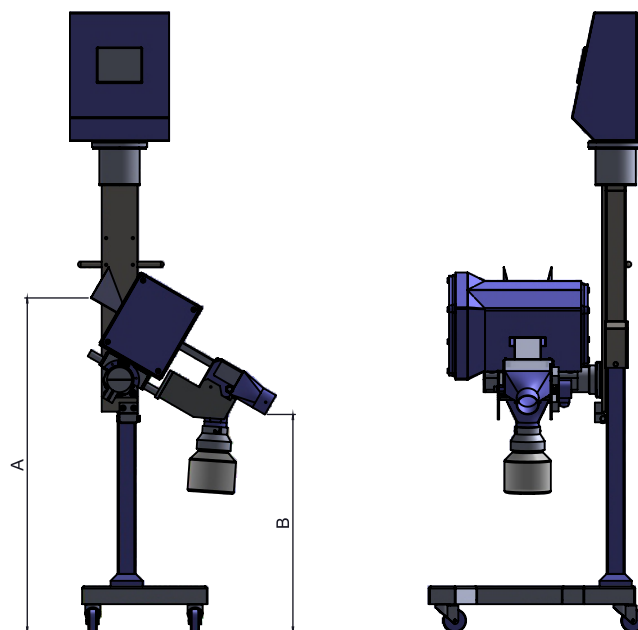
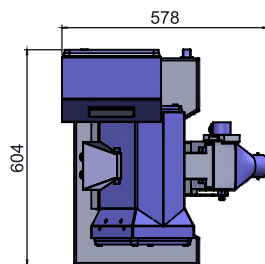
Metaltrap SS30-PH is highly advance digital Metal Detector with best in class features. More than 7000 installations across the world. User friendly HMI. Can be combined with all makes of tablet press/capsule filling machine due to its wide range of Height adjustment facility.

### SALIENT FEATURES

- Sample E - signature
- Product auto-tracking
- Validation using prompt
- Reject confirmation option
- Multilevel passwords
- Continuous online self check monitoring system
- Reject time stamping
- Fail safe mechanism
- Digital control and signal processing
- Set parameter data retention on loss of power
- Buzzer on detection of metal contamination
- Bargraph and Numeric Display

### GENERAL SPECIFICATION

- **Aperture size:** 95mm X 22mm (can be customized)
- **Sensitivity:** 0.3mm Ferrous, 0.3mm Non-Ferrous and 0.5mm Stainless steel (with spherical ball)  
(Test sample with certification will be provided for the validation purpose)
- **Construction:** All Stainless steel contact parts are in SS 316L, mirror finished optional.
- **Throughput:** Up to 10,000 tablets/capsules per minute (depending upon size and shape of tablet/capsule)
- **Contacts for interlock:** Floating relay
- **Operating temperature:** 0 to 45°C ambient
- **Humidity:** Up to 95% relative humidity



#### MD PHARMA COIL POSITION - BOTTOM MOUNTING

	MD PHARMA INLET HEIGHT A	MD PHARMA OUTLET HEIGHT B
MINIMUM	540 mm	215 mm
MAXIMUM	870 mm	545 mm

#### MD PHARMA COIL POSITION - TOP MOUNTING

	MD PHARMA INLET HEIGHT A	MD PHARMA OUTLET HEIGHT B
MINIMUM	885 mm	570 mm
MAXIMUM	1230 mm	915 mm



**TECHNOFOUR ELECTRONICS PVT. LTD.**

Kasurdi (Kheba), Khed Shivapur-Saswad Road,  
Post: Khed Shivapur, Taluka: Bhore, District: Pune 412 205.  
Maharashtra, India.  
Tel: +91-2113-220400  
Email: pcssales@tepl.co.in Website: www.teplindia.com

\* Due to continuous development, specifications subject to change without notice.